



**FM**



**1/2 AM**

**YM**

**AM**

**DM**

**A&DM**



P/N:ALS-FL06-30WCH8A1-acdCA30/40/50

Note:

ALS= Company name

FL06 = Product series, LED Flood Light

30W = Rating Power

C = LED manufacturer, C= Seoul 3030

H8 = Diffuser light angle type, H8=7H6V

A1 = Version number

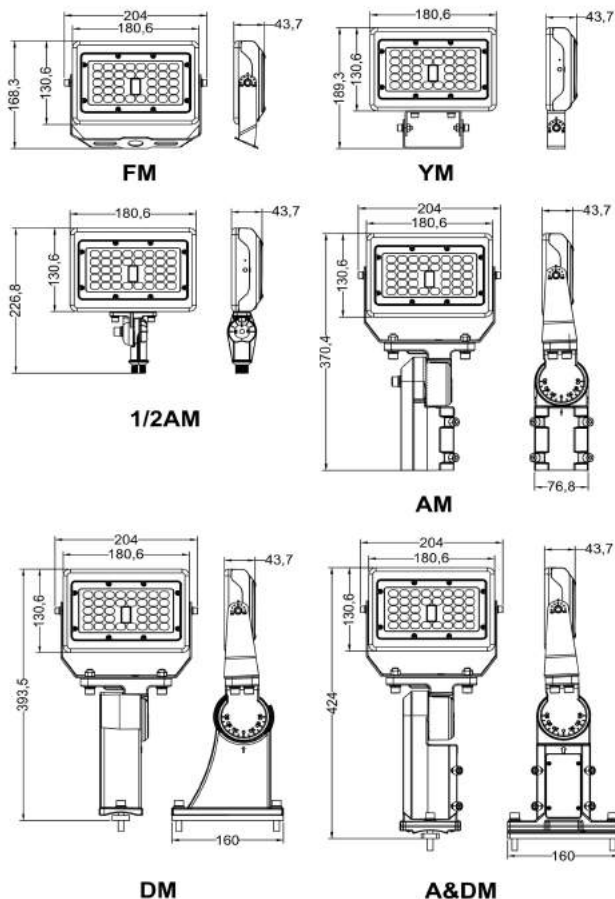
“a” can be any two letters for lamp colors;

“c” can be “10SP”, “20SP” or blank for Surge protector provided or not;

“d” can be “1/2AM”, “YM”, “FM”, “AM”, “DM”, “A & DM” for bracket type;

“CA30/40/50” represents for adjustable CCT 3000K/4000K/5000K.

## DIMENSIONS



## ADVANTAGE

- UL certificate.
- IP65 driver, input voltage 100-277VAC.
- Color Adjustable.
- No UV or IR in the beam.
- Easy to install and operate.
- Energy saving, long lifespan.
- Light is soft and uniform, safe to eyes.
- Instant start, NO flickering, NO humming.
- Green and eco-friendly without mercury.

## APPLICATION

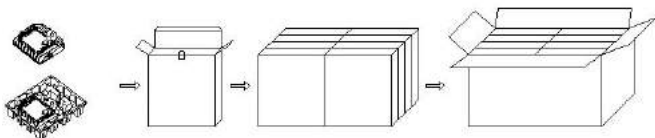
- Outdoor basketball court, tennis court.
- Badminton court, the football field.
- The school playground, stadium.
- Community leisure entertainment plaza,
- Warehouse, factory and workshops;
- Highway toll station;
- Meeting room, exhibition hall;
- Gymnasium and supermarkets, etc.

## SPECIFICATIONS

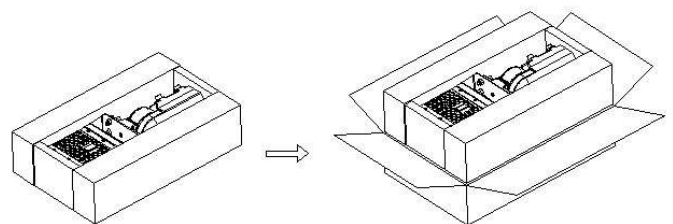
<b>OPTICAL</b>	Input Power	30W		
	Cover	LENS		
	Lumen	3000K	4000K	5000K
		3450-3900LM	4050-4500LM	3750-4200LM
	Viewing Angle	7H6V		
	Color Temperature	3000K/4000K/5000K		
CRI	>80			
<b>ELECTRICAL</b>	Input Voltage	100-277VAC 50/60Hz		
	PF	≥0.9		
	THD	≤20%		
	Driver Model	China Brand Driver		
<b>MATERIALS</b>	LED Type	SMD3030 (1W)		
	LED Brand	Seoul		
	LED QTY	72PCS (36*2)		
	Housing	Aluminum Alloy		
	Housing Color	Any Colors		
	Waterproof Rating	WET (IP65)		
<b>OTHERS</b>	Operating Temperature	-20℃ TO 50℃		
	Operating Humidity	10%-90% RH		
	Storage Temperature	-30℃ TO 80℃		
	Storage Humidity	10%-95% RH		
	Warranty Time	5 Years		

## PACKAGE

		FM	YM	1/2 AM	AM	DM	A&DM
Lamps Net Weight		1.1kg	1.1kg	1.1kg	2.7kg	3.1kg	3.5kg
Inner box	size	281*235*70 mm			/		
	Qty/ Carton	1 PCS					
	Weight/Carton	1.3kg	1.3kg	1.3kg			
Outer box	size	484*302*297 mm			440*245*130mm		
	Qty/ Carton	8 PCS			1PCS		
	Weight/Carton	11.2kg	11.2kg	11.2kg	3.2kg	3.6kg	4.0kg



FM / YM / 1/2 AM



AM / DM / A&DM

## LIGHT DISTRIBUTION TESTING PARAMETERS

### Luminaire Property

Luminaire Manufacturer:  
Voltage: 120.0 V  
Power: 28.46 W

Current: 0.2393 A  
Power Factor: 0.991

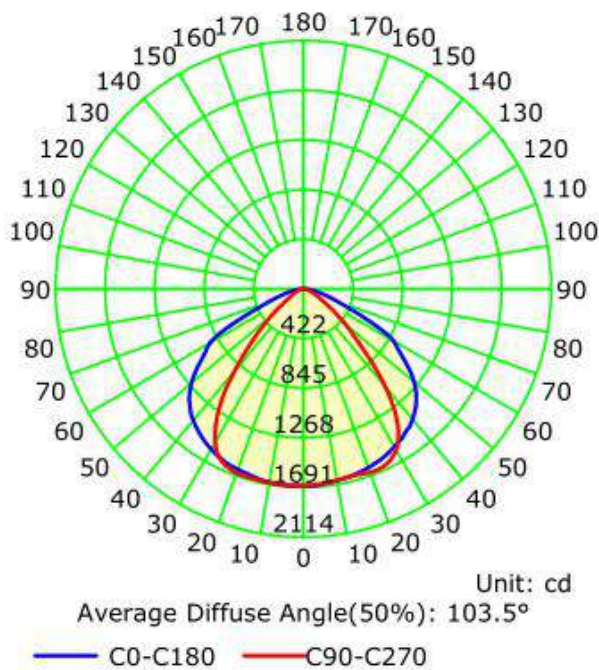
双击可隐藏空白

### Photometric Results

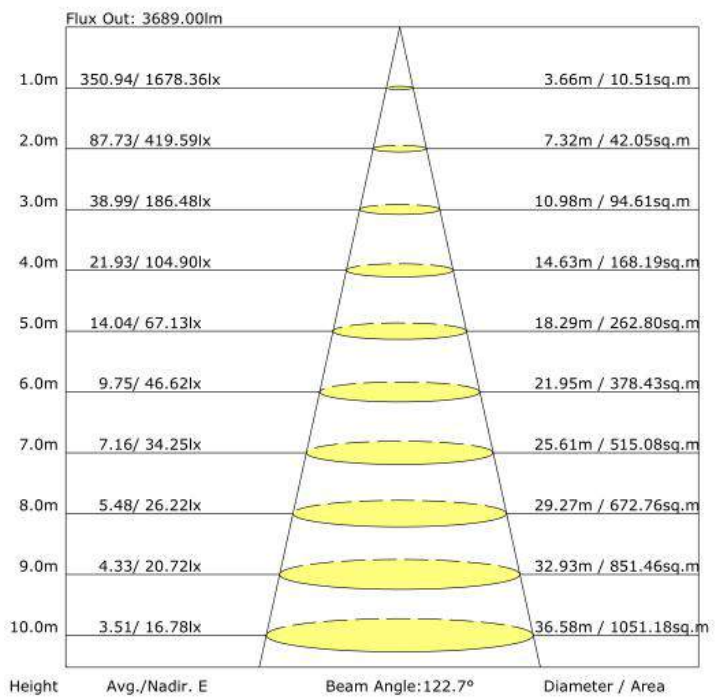
IES Classification: Type I  
Total Rated Lamp Lumens: 4004.6 lm  
Efficiency: 100%  
Upward Ratio: 0%  
Central Intensity: 1678.36 cd  
Pos of Max. Intensity: H247.5 V11

Longitudinal Classification: Very Short  
Measurement Flux: 4004.6 lm  
Downward Ratio: 100%  
Luminaire Efficacy Rating (LER): 140.71  
Max. Intensity: 1691.24 cd

Luminous Intensity Distribution Curve



The Average Illuminance Effective Figure



### NOTICE FOR USER

- Please turn off power before install or change assembly parts.
- The input voltage and lamps should be matched, after connecting the power line, Please make sure the wiring section is insulated.
- No-professionals, must not install and disassemble the lamps.

### TROUBLE SHOOTINGS

Troubles	Check points
Flickering of the light	Turn off the power and turn on again in 3 minutes. If same phenomena occur, then call agencies.
Out of working	Please check the connection.