



Type A



Type B



Type C



NAME: LED Flood Light

P/N: ALS-FL06-50WAT1A1-aaK

Note: aa in P/N represent CCT, can be 40, 50, 5 7

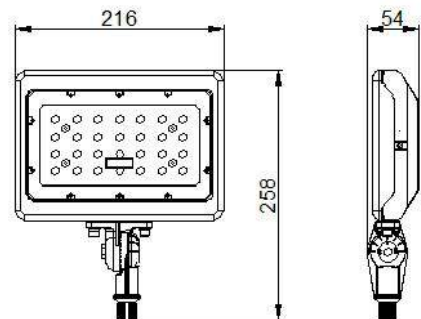
Advantage:

- UL DLC certificate
- Lumileds Chip, High CRI
- China brand IP65 driver, Input voltage 100-277Vac
- No UV or IR in the beam
- Easy to install and operate
- Energy saving, long lifespan
- Instant start, no flickering, no humming
- Green and eco-friendly without mercury.

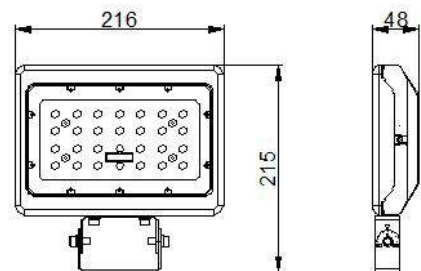
Application:

- ◆ Factory floor, libraries, square, park;
- ◆ Supermarkets, railway stations;
- ◆ Advertising lighting, etc.

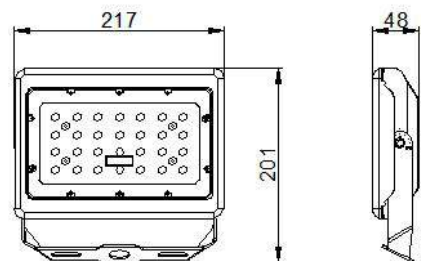
Type A



Type B



Type C



TECHNICAL DATA SHEET

Product Specifications

Product Name	LED Flood Light
Part No.	ALS-FL06-50WAT1A1-aaK
Dimension	Type A: 258*216*54 mm
	Type B: 215*216*48 mm
	Type C: 201*217*48mm

Technical Characteristic

Color Temperature	4000K, 5000K, 5700K
CRI	>70
Lumen	6500-7100 LM
Input Power	50W
Beam Angle	7H7V
Input Voltage	100-277Vac 50/60Hz
Driver Model	China brand driver
Optional	Surge Protection Device
PF	>0.9
Waterproof Rating	WET (IP65)

Materials

LED Brand	LUMILEDS
LED Type	LUXEON 3030 2D
LED QTY	56PCS
Housing	Aluminum +PC+Steel
Housing Color	Black, Brown

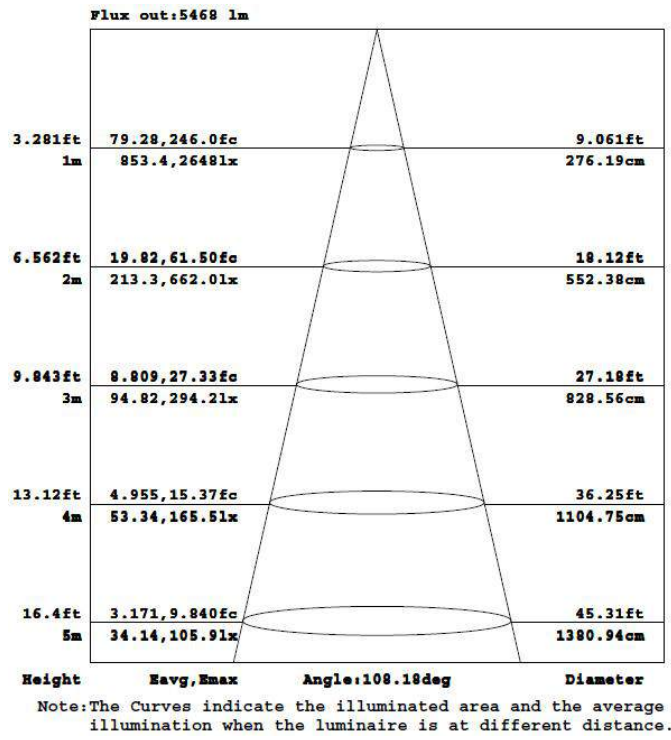
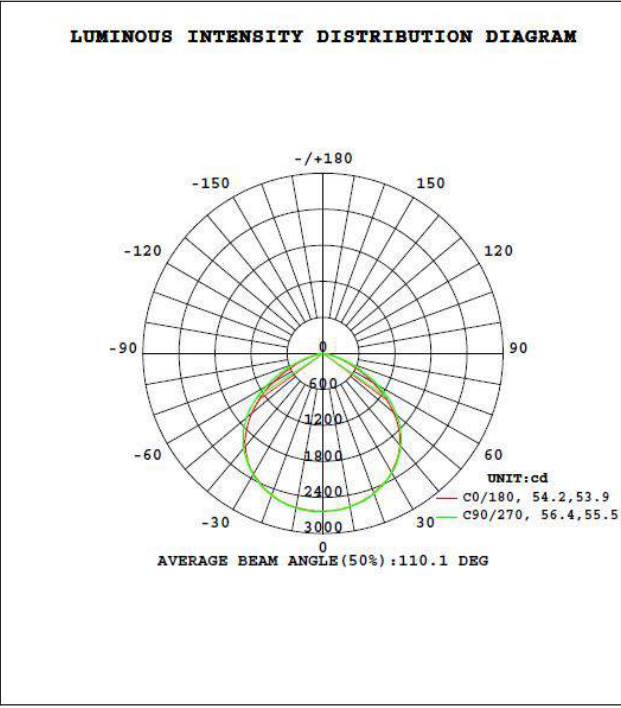
Others

Operating Temperature	-20°C TO 45°C
Operating Humidity	20%-90% RH
Storage Temperature	-30°C TO 80°C
Storage Humidity	10%-95%
Application	Outdoor / Indoor
Safety Certification	UL DLC
Warranty Time	5 Years

TECHNICAL DATA SHEET

Light Distribution Testing Parameters

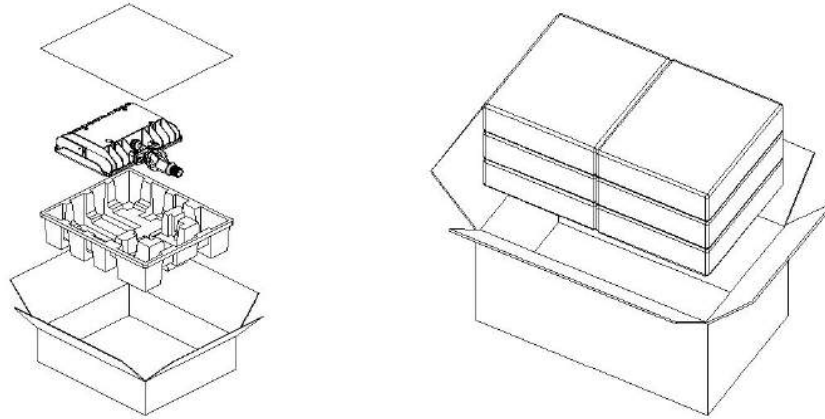
DATA OF LAMP		PHOTOMETRIC DATA Eff: 133.25 lm/W			
MODEL		Imax (cd)	2635	S/MH(C0/180)	1.31
NOMINAL POWER (W)	50	LOR (%)	100.0	S/MH(C90/270)	1.31
RATED VOLTAGE (V)	120	TOTAL FLUX (lm)	6978.5	η UP, DN (C0-180)	0.1, 49.5
NOMINAL FLUX (lm)	6978.53	CIE CLASS	DIRECT	η UP, DN (C180-360)	0.1, 50.4
LAMPS INSIDE	1	η up (%)	0.2	CIBSE SHR NOM	1.25
TEST VOLTAGE (V)	120.0	η down (%)	99.8	CIBSE SHR MAX	1.35



TECHNICAL DATA SHEET

Package

		Type A	Type B	Type C
Lamps Net Weight		1.64 kg	1.64 kg	1.62 kg
Inner Box	Size	305*260*77mm		
	Qty/Carton	1 PCS		
	Weight/Carton	2.0 kg	2.0 kg	1.98 kg
Outer Box	Size	535*325*255 mm		
	Qty/Carton	6 PCS		
	Weight/Carton	12.8 kg	12.8 kg	12.7 kg



Notice For User

- ◆ Please turn off power before install or change assembly parts.
- ◆ The input voltage and lamps should be matched, after connecting the power line, Please make sure the wiring section is insulated.
- ◆ No-professionals, must not install and disassemble the lamps.

Trouble Shootings

Troubles	Check points
Flickering of the light	Turn off the power and turn on again in 3 minutes. If same phenomena occur, then call agencies
Out of working	Please check the connection