



FM



1/2 AM

YM

AM

DM

A&DM



P/N: ALS-FL06-90WCH8A1-abcdCA30/40/50

Note:

ALS= Company name

FL06 = Product series, LED Flood Light

90W = Rating Power

C = LED manufacturer, C= Seoul 3030

H8 = Diffuser light angle type, H8=7H6V

A1 = Version number

“a” can be any two letters for lamp colors;

“b” can be “3RP”, “3NP”, “5RP”, “5NP”,

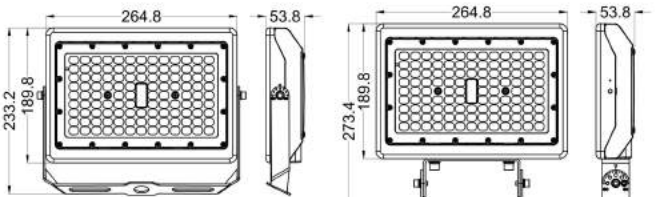
“7RP” or “7NP” or blank for photocontrol provided or not;

“c” can be “10SP”, “20SP” or blank for Surge protector provided or not;

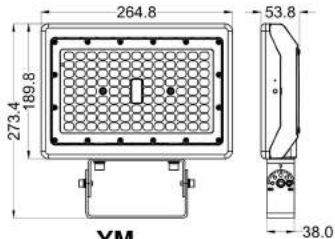
“d” can be “1/2AM”, “YM”, “FM”, “AM”, “DM”, “A & DM” for bracket type;

“CA30/40/50” represents for adjustable CCT 3000K/4000K/5000K.

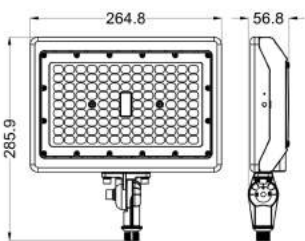
DIMENSIONS



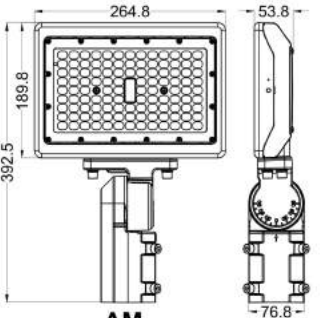
FM



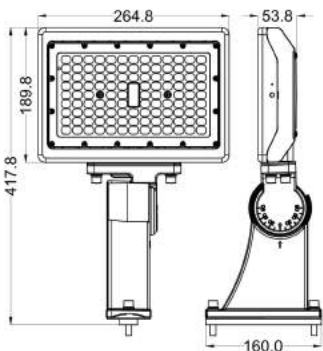
YM



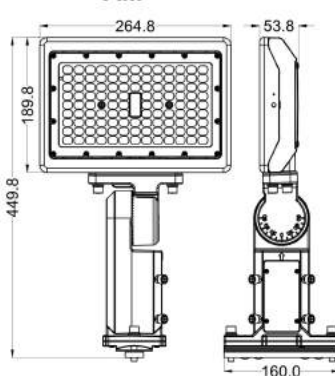
1/2AM



AM



DM



A&DM

ADVANTAGE

- UL certificate.
- IP65 driver, input voltage 120-277VAC.
- Color Adjustable.
- No UV or IR in the beam.
- Easy to install and operate.
- Energy saving, long lifespan.
- Light is soft and uniform, safe to eyes.
- Instant start, NO flickering, NO humming.
- Green and eco-friendly without mercury.

APPLICATION

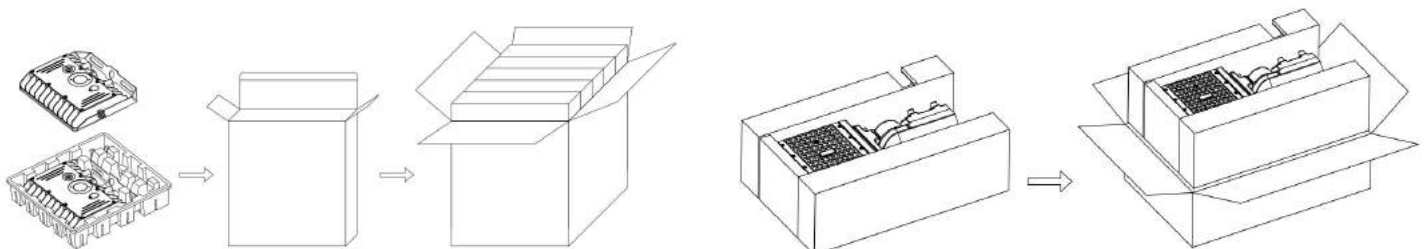
- Outdoor basketball court, tennis court.
- Badminton court, the football field.
- The school playground, stadium.
- Community leisure entertainment plaza,
- Warehouse, factory and workshops;
- Highway toll station;
- Meeting room, exhibition hall;
- Gymnasium and supermarkets, etc.

SPECIFICATIONS

OPTICAL	Input Power	90W		
	Cover	LENS		
	Lumen	3000K	4000K	5000K
		10800-12150LM	12150-13500LM	11250-12600LM
	Viewing Angle	7H6V		
	Color Temperature	3000K/4000K/5000K		
CRI	>80			
ELECTRICAL	Input Voltage	120-277VAC 50/60Hz		
	PF	≥0.9		
	THD	≤20%		
	Driver Model	China Brand Driver(1-10Vdc Dimmer)		
	Optional Accessory	Photocell/Surge protector		
MATERIALS	LED Type	SMD3030 (1W)		
	LED Brand	Seoul		
	LED QTY	224PCS (112*2)		
	Housing	Aluminum Alloy		
	Housing Color	Any Colors		
	Waterproof Rating	WET (IP65)		
OTHERS	Operating Temperature	-40℃ TO 50℃		
	Operating Humidity	10%-90% RH		
	Storage Temperature	-40℃ TO 80℃		
	Storage Humidity	10%-95% RH		
	Warranty Time	5 Years		

PACKAGE

	FM	YM	1/2 AM	FM	YM	1/2 AM	AM	DM	A&DM	
Lamps Net Weight	2.6kg	2.8kg	2.5kg	3.0kg	3.2kg	2.9kg	3.9kg	4.2kg	4.6kg	
Inner box	size	342*325*75mm			355*335*135mm			/		
	Qty/ Carton	1 PCS			1 PCS (Photocell)					
	Weight/Carton	2.9kg	3.1kg	2.8kg	3.4kg	3.6kg	3.3kg			
Outer box	size	394*338*362 mm			695*370*355 mm			485*315*150mm		
	Qty/ Carton	5 PCS			5 PCS (Photocell)			1PCS		
	Weight/Carton	15.3kg	16.3kg	14.8kg	17.8kg	18.8kg	17.3kg	4.6kg	4.9kg	5.3kg



FM / YM / 1/2 AM

AM / DM / A&DM

LIGHT DISTRIBUTION TESTING PARAMETERS

Luminaire Property

Luminaire Manufacturer:
Voltage: 119.9 V
Power: 89.49 W

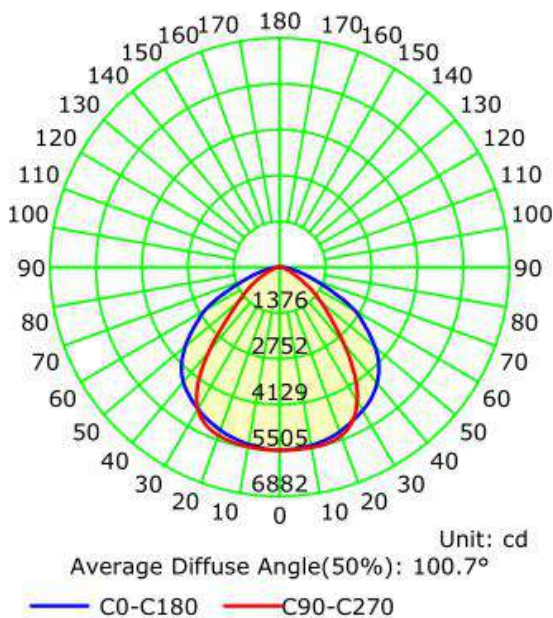
Current: 0.7487 A
Power Factor: 0.996

Photometric Results

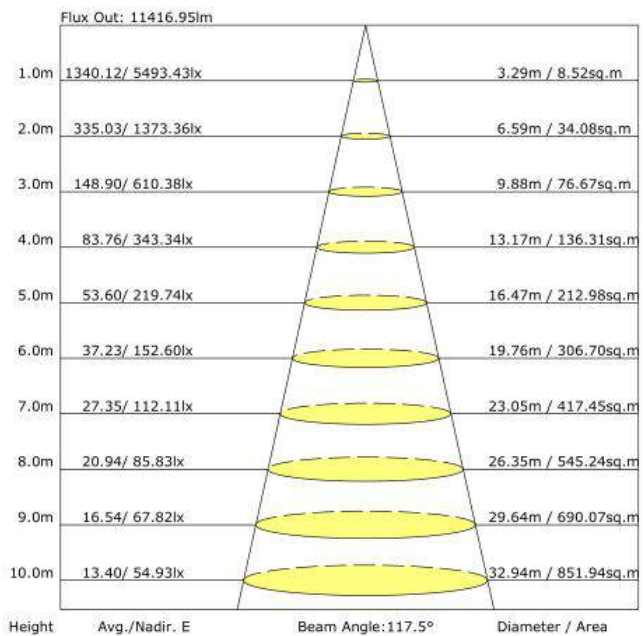
IES Classification: Type I
Total Rated Lamp Lumens: 13179.8 lm
Efficiency: 100%
Upward Ratio: 1%
Central Intensity: 5493.43 cd
Pos of Max. Intensity: H45 V3

Longitudinal Classification: Very Short
Measurement Flux: 13179.8 lm
Downward Ratio: 99%
Luminaire Efficacy Rating (LER): 147.28
Max. Intensity: 5505.75 cd

Luminous Intensity Distribution Curve



The Average Illuminance Effective Figure



NOTICE FOR USER

- Please turn off power before install or change assembly parts.
- The input voltage and lamps should be matched, after connecting the power line, Please make sure the wiring section is insulated.
- No-professionals, must not install and disassemble the lamps.

TROUBLE SHOOTINGS

Troubles	Check points
Flickering of the light	Turn off the power and turn on again in 3 minutes. If same phenomena occur, then call agencies.
Out of working	Please check the connection.

