



NAME: LED ShoeBox Light

P/N: ALS-S-GB-150WXYZA1-abcdefg

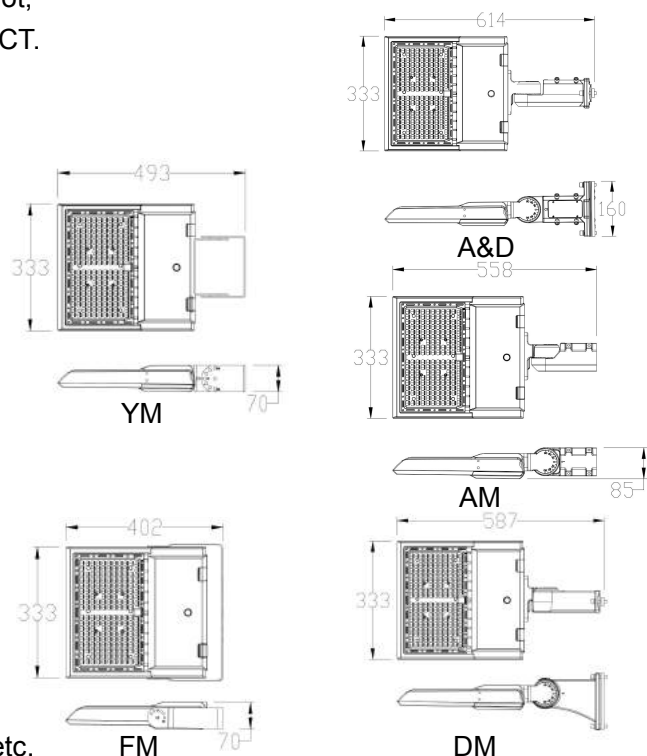
Note:
 The letter "X" can be any alphabet to represent manufacturer of LED, A means LUMILEDS ,C means Seoul ;
 The letter "Y" can be "50" or "30" to represent LED size.
 The letter "Z" can be "T1" to "T9" and suffix blank or "A" to "Z" to represent different Diffuser light angle type employed, eg. it can be T4 or T4L or T4M;
 The letter "a" can be can be 2 letters represent lamp colors;
 The letter "b" can be "3RP", "3NP", "5RP", "5NP", "7RP" or "7NP" for Photocontrol type provided or blank for no Photocontrol provided;
 The letter "c" can be "10SP" or "20SP" for Surge-Protective Device type provided or blank for no Surge-Protective Device provided;
 The letter "d" can be "PS" or "MS" for Motion Sensor type provided or blank for no Motion Sensor provided;
 The letter "e" can be "AM", "DM", "YM", "A&D" or "FM" to represent mounting bracket types;
 The letter "f" can be "S" or blank for Socket provided or not;
 The letter "g" can be any two-digit number to represent CCT.

Advantage:

- Lumileds or Seoul Chip, high CRI
- IP65 driver, Input voltage 100-277Vac
- Optional Photocell and surge protection function
- No UV or IR in the beam
- Easy to install and operate
- Energy saving, Long lifespan
- Light is soft and uniform, Safe to eyes
- Instant start, NO flickering, NO humming
- Green and eco-friendly without mercury.

Application:

- Outdoor basketball court, tennis court.
- Badminton court, the football field.
- The school playground, stadium.
- Community leisure entertainment plaza, road lamp etc.



TECHNICAL DATA SHEET

Product Specifications

Product name	LED ShoeBox Light				
Part No	ALS-S-GB-150WXYZA1-abcdefg				
Mounting Brackets	AM	DM	YM	A&D	FM
Dimension	559*333*85MM	574*333*160MM	493*333*70MM	614*333*160MM	402*333*70MM

Technical Characteristic

Color temperature	2700-6500K	
CRI	>70	
Lumen	20250-22500LM	
Lumen Efficacy	135-150 LM/W	
Input Power	150W	
Standard Viewing Angle	140*50 Degree (Type III)	
Input Voltage	100-277Vac	50/60Hz
Driver model	China Brand Driver	SS-150VA-56B
PF	>0.9	
Waterproof Rating	IP65	

Materials

ED Brand	LUMILEDS or Seoul			
LED Type	3030			
LED QTY	189PCS			
Housing	Aluminum			
Optional Accessory	Photocell	Surge protector	Motion sensor	Socke
Housing color	Black、Brown			

Others

Operating Temperature	-40°C TO 50°C
Operating Humidity	20%-90% RH
Storage Temperature	-40°C TO 80°C
Storage Humidity	10%-95%
Application	Outdoor / Indoor
Safety Certification	UL、cUL
Warranty Time	5 Years

Luminaire Property

Luminaire Manufacturer:
 Voltage: 120.0 V
 Power: 148.80 W

Current: 1.245 A
 Power Factor: 0.996

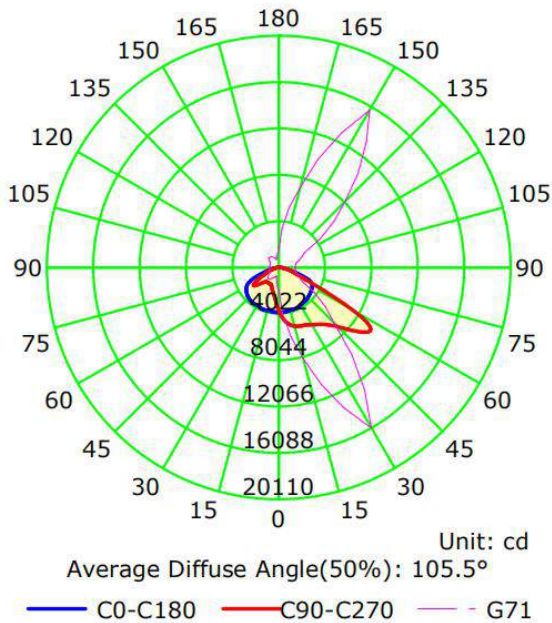
Photometric Results

IES Classification: Type III
 Total Rated Lamp Lumens: 20970.6 lm
 Efficiency: 100%
 Upward Ratio: 1%
 Central Intensity: 3899.19 cd
 Pos of Max. Intensity: H30 V71

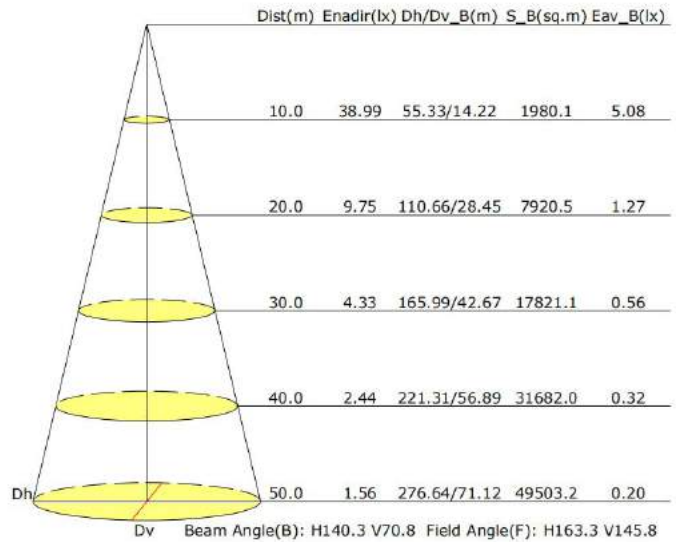
Longitudinal Classification: Medium
 Measurement Flux: 20970.6 lm
 Downward Ratio: 99%
 Luminaire Efficacy Rating (LER): 140.98
 Max. Intensity: 16088.06 cd

Light Distribution Testing Parameters

Luminous Intensity Distribution Curve



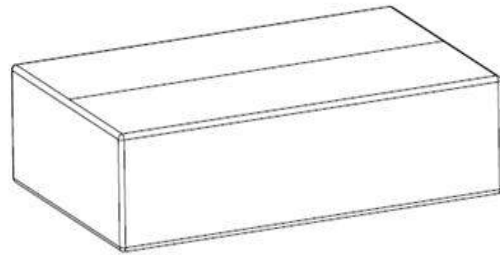
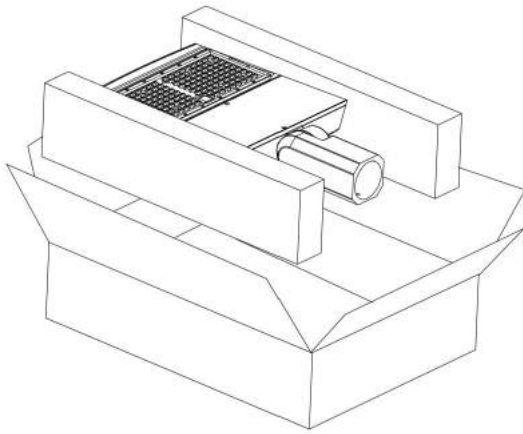
Illuminance at a Distance(Beam Angle)



TECHNICAL DATA SHEET

Package

Stent Type	Lamps Net Weight	Size	Qty/ Carton	Weight/ Carton
AM	6. KG	650*385*155MM	1	7KG
DM	6.44KG	650*385*155MM	1	7.46 KG
YM	6.5 KG	650*385*155MM	1	7.5KG
A&D	6.8KG	650*385*155MM	1	7.8 KG
FM	5.5 KG	535*400*155MM	1	6.5KG



Notice For User

- ◆ Please turn off power before install or change assembly parts.
- ◆ The input voltage and lamps should be matched, after connecting the power line, Please make sure the wiring section is insulated.
- ◆ No-professionals, must not install and disassemble the lamps.

Trouble Shootings

Troubles	Check points
Flickering of the light	Turn off the power and turn on again in 3 minutes. If same phenomena occur, then call agencies
Out of working	Please check the connection

