

NAME: LED ShoeBox Light

P/N: ALS-S-GB-300WXYZA1-abcdefg

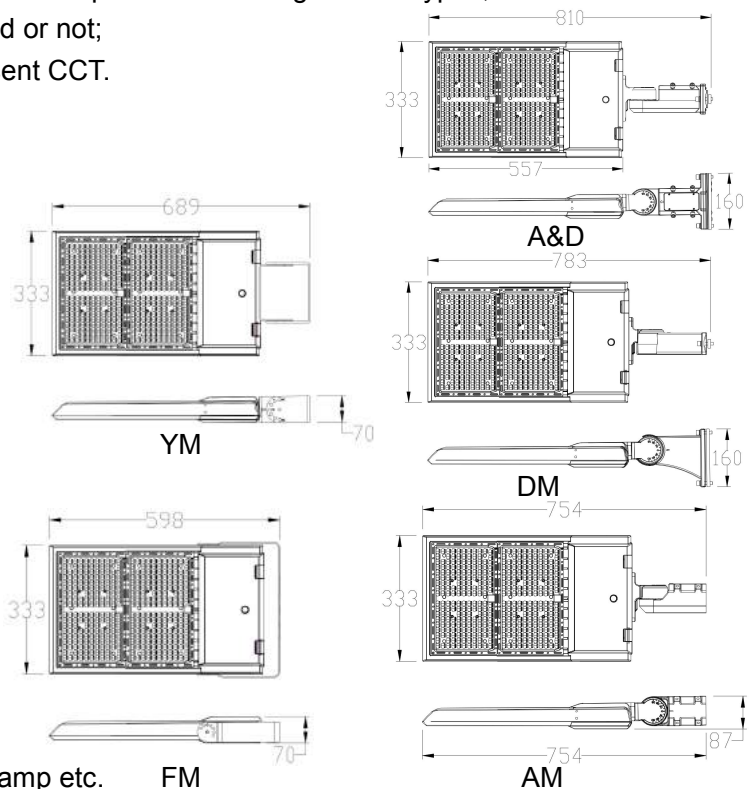
- Note:**
- The letter "X" can be any alphabet to represent manufacturer of LED, A means LUMILEDS ,C means Seoul ;
 - The letter "Y" can be "50" or "30" to represent LED size.
 - The letter "Z" can be "T1" to "T9" and suffix blank or "A" to "Z" to represent different Diffuser light angle type employed, eg. it can be T4 or T4L or T4M;
 - The letter "a" can be can be 2 letters represent lamp colors;
 - The letter "b" can be "3RP", "3NP", "5RP", "5NP", "7RP" or "7NP" for Photocontrol type provided or blank for no Photocontrol provided;
 - The letter "c" can be "10SP" or "20SP" for Surge-Protective Device type provided or blank for no Surge-Protective Device provided;
 - The letter "d" can be "PS" or "MS" for Motion Sensor type provided or blank for no Motion Sensor provided;
 - The letter "e" can be "AM", "DM", "YM", "A&D" or "FM" to represent mounting bracket types;
 - The letter "f" can be "S" or blank for Socket provided or not;
 - The letter "g" can be any two-digit number to represent CCT.

Advantage:

- Lumileds or Seoul Chip, high CRI
- IP65 driver, Input voltage 100-277Vac
- Optional Photocell and surge protection function
- No UV or IR in the beam
- Easy to install and operate
- Energy saving, Long lifespan
- Light is soft and uniform, Safe to eyes
- Instant start, NO flickering, NO humming
- Green and eco-friendly without mercury.

Application:

- Outdoor basketball court, tennis court.
- Badminton court, the football field.
- The school playground, stadium.
- Community leisure entertainment plaza, road lamp etc.



TECHNICAL DATA SHEET

Product Specifications

Product name	LED ShoeBox Light				
Part No	ALS-S-GB-300WXYZA1-abcdefg				
Mounting Brackets	AM	DM	YM	A&D	FM
Dimension	754*333*87MM	783*333*160MM	689*333*70MM	810*333*160mm	598*333*70mm

Technical Characteristic

Color temperature	2700-6500K	
CRI	>70	
Lumen	39000-43500LM	
Lumen Efficacy	130-145 LM/W	
Input Power	300W	
Standard Viewing Angle	150*85 Degree (Type III)	
Input Voltage	100-277Vac	50/60Hz
Driver model	China Brand Driver	SS-320V-54B
PF	>0.9	
Waterproof Rating	IP65	

Materials

ED Brand	LUMILEDS or Seoul			
LED Type	3030			
LED QTY	378PCS			
Housing	Aluminum			
Optional Accessory	Photocell	Surge protector	Motion sensor	Socke
Housing color	Black、Brown			

Others

Operating Temperature	-40℃ TO 50℃
Operating Humidity	20%-90% RH
Storage Temperature	-40℃ TO 80℃
Storage Humidity	10%-95%
Application	Outdoor / Indoor
Safety Certification	UL、cUL
Warranty Time	5 Years

TECHNICAL DATA SHEET

Luminaire Property

Luminaire Manufacturer:

Voltage: 119.6 V

Power: 305.80 W

Current: 2.560 A

Power Factor: 0.999

Photometric Results

IES Classification: Type III

Total Rated Lamp Lumens: 41398.9 lm

Efficiency: 100%

Upward Ratio: 1%

Central Intensity: 7452.85 cd

Pos of Max. Intensity: H30 V72

Longitudinal Classification: Medium

Measurement Flux: 41398.9 lm

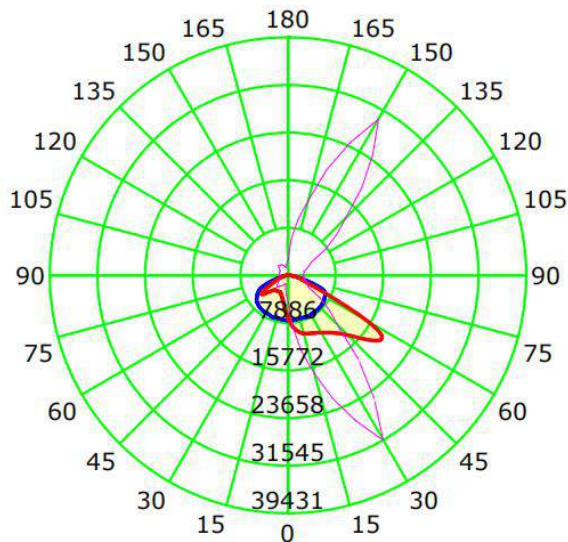
Downward Ratio: 99%

Luminaire Efficacy Rating (LER): 135.43

Max. Intensity: 31545.22 cd

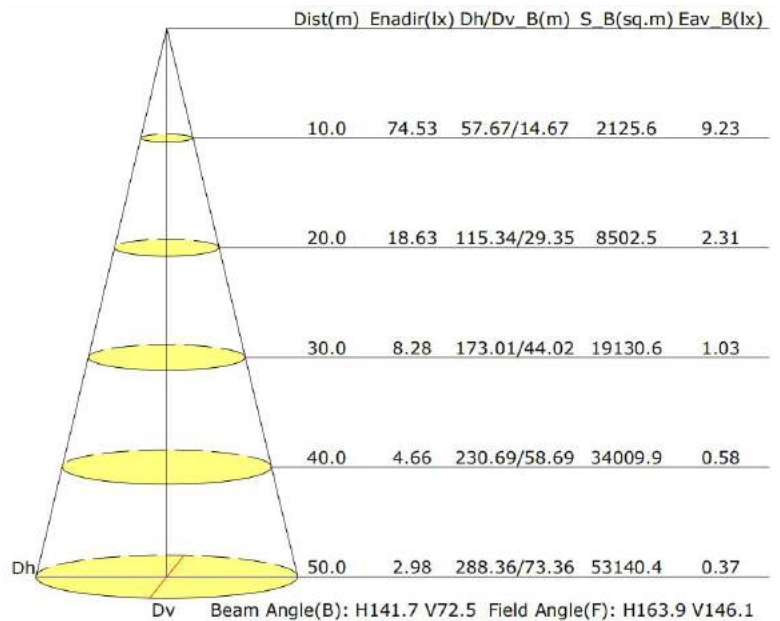
Light Distribution Testing Parameters

Luminous Intensity Distribution Curve



Unit: cd
Average Diffuse Angle(50%): 107.1°

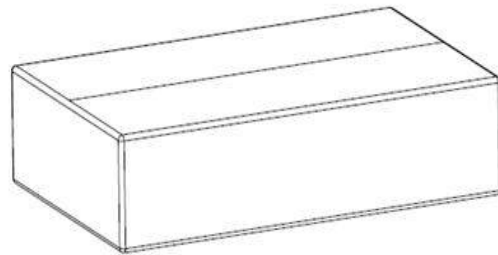
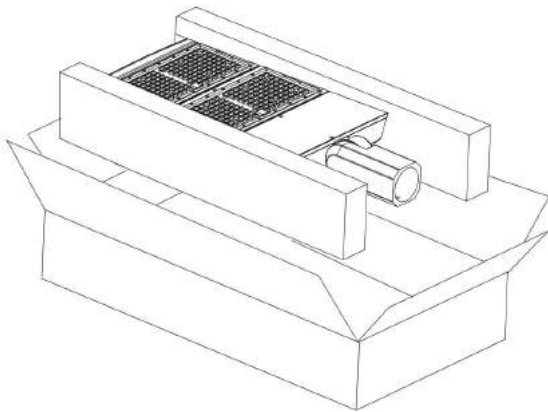
— C0-C180 — C90-C270 — G72



Package

TECHNICAL DATA SHEET

Stent Type	Lamps Net Weight	Size	Qty/ Carton	Weight/ Carton
AM	8.78KG	840*385*155mm	1	10KG
DM	9.26KG	840*385*155mm	1	10.52KG
YM	9.3KG	840*385*155mm	1	10.56KG
A&D	9.6KG	840*385*155mm	1	10.86KG
FM	8.3KG	730*400*155MM	1	9.56KG



Notice For User

- ◆ Please turn off power before install or change assembly parts.
- ◆ The input voltage and lamps should be matched, after connecting the power line, Please make sure the wiring section is insulated.
- ◆ No-professionals, must not install and disassemble the lamps.

Trouble Shootings

Troubles	Check points
Flickering of the light	Turn off the power and turn on again in 3 minutes. If same phenomena occur, then call agencies
Out of working	Please check the connection