



P/N: ALS-SWP01-200WBA1-abcdef

Note:

ALS= Company name;

SWP01 = Product series, LED Semi-Cutoff Wall Pack;

200W = Rating Power;

“B” for lumileds 2835;

A1 = Version number;

“a” can be any two letters to represent lamp colors;

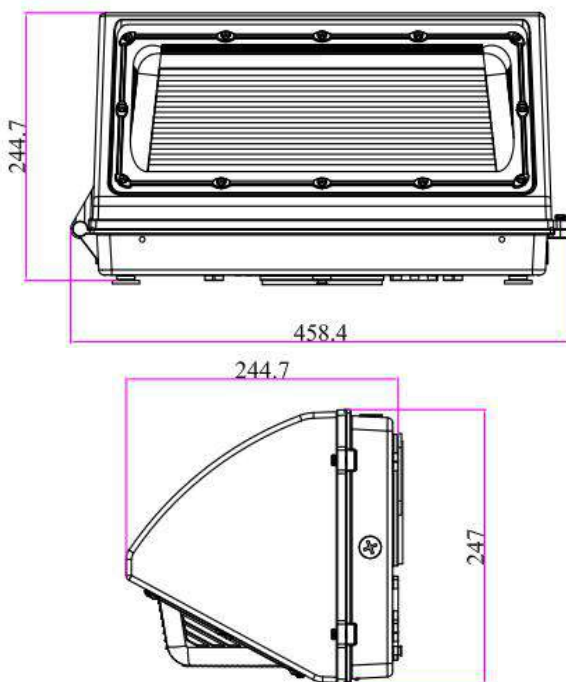
“b” can be “S” or blank for Surge-Protective Device provided or not;

“c” can be “R” or blank for PIR Sensor provided or not;

“d” can be “P” or blank for Photocontrol provided or not;

“f” can be any two digits to represent CCT.

DIMENSIONS



ADVANTAGE

- UL certificate;
- IP65 Internal driver, input voltage 100-277VAC;
- No UV or IR in the beam;
- Easy to install and operate;
- Energy saving, long lifespan;
- Light is soft and uniform, safe to eyes;
- Instant start, NO flickering, NO humming;
- Green and eco-friendly without mercury.

APPLICATION

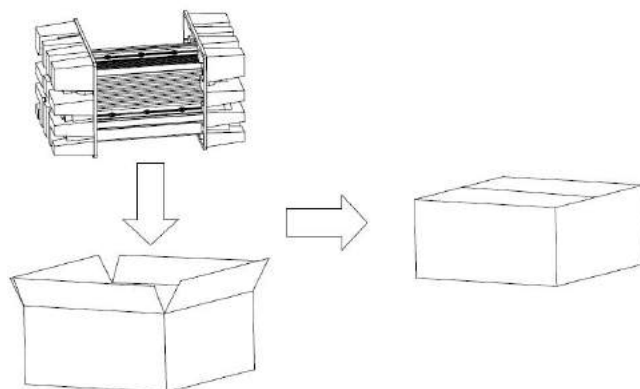
- Entrance lighting, courtyard lighting;
- Industrial lighting, Outdoor landscape lighting;
- Building, The hotel;
- Wall lighting area and so on.

SPECIFICATIONS

OPTICAL	Input Power	200W
	Lumen	24000-27000LM
	Lumen Efficacy	120-135 LM/W
	Color Temperature	4000K,4500K,5000K,5700K
	CRI	>80
	Viewing Angle	110 Degree
ELECTRICAL	Input Voltage	100-277VAC 50/60Hz
	PF	≥0.9
	THD	≤20%
	Driver Model	China Brand Driver
MATERIALS	LED Type	SMD2835 (0.5W)
	LED QTY	600 PCS
	Housing	Aluminum(ADC12) +PC
	Housing Color	Brown
	Cover	Stripe lens
	Waterproof Rating	WET (IP65)
	Optional Accessory	Photocell / Surge protector
OTHERS	Operating Temperature	-20℃ TO 45℃
	Operating Humidity	20%-90% RH
	Storage Temperature	-30℃ TO 80℃
	Storage Humidity	10%-95% RH
	Warranty Time	5 Years

PACKAGE

	Size	Qty / Carton	Net Weight / Carton	Gross Weight / Carton
Outer box	500*305*315	1	5.92kg	7.3kg



LIGHT DISTRIBUTION TESTING PARAMETERS

Luminaire Property

Luminaire Manufacturer:
Voltage: 120.8 V
Power: 205.30 W

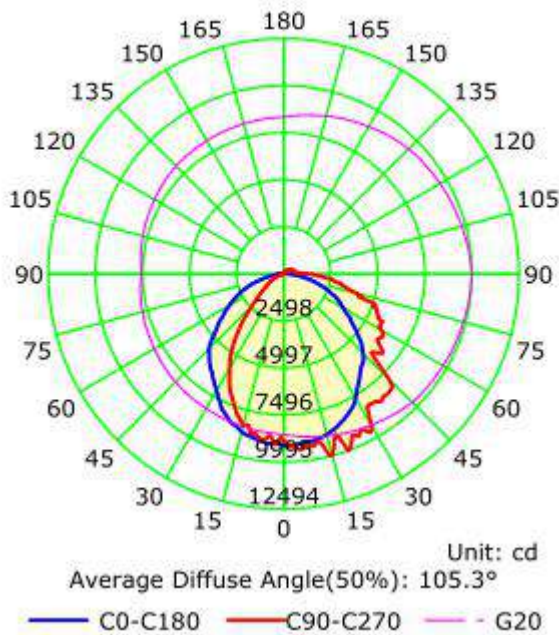
Current: 1.705 A
Power Factor: 0.997

Photometric Results

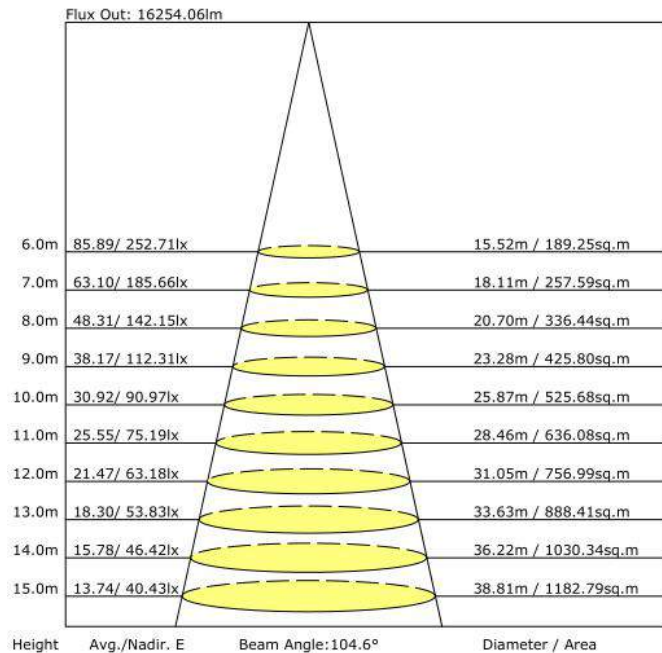
IES Classification: Type IV
Total Rated Lamp Lumens: 25233.4 lm
Efficiency: 100%
Upward Ratio: 4%
Central Intensity: 9097.46 cd
Pos of Max. Intensity: H90 V20

Longitudinal Classification: Very Short
Measurement Flux: 25233.4 lm
Downward Ratio: 96%
Luminaire Efficacy Rating (LER): 122.96
Max. Intensity: 9996 cd

Luminous Intensity Distribution Curve



The Average Illuminance Effective Figure



NOTICE FOR USER

- Please turn off power before install or change assembly parts.
- The input voltage and lamps should be matched, after connecting the power line, Please make sure the wiring section is insulated.
- No-professionals, must not install and disassemble the lamps.

TROUBLE SHOOTINGS

Troubles	Check points
Flickering of the light	Turn off the power and turn on again in 3 minutes. If same phenomena occur, then call agencies.
Out of working	Please check the connection.

